

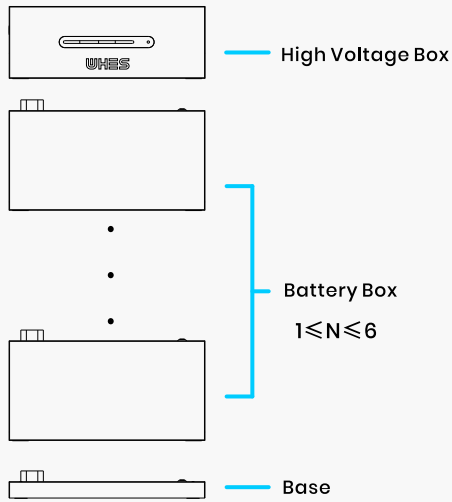
UHS

Quick Installation Guide

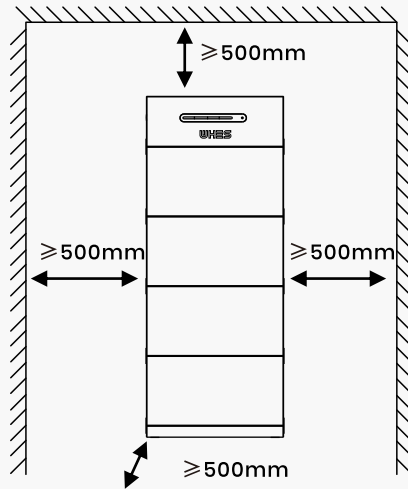
Note: Please scan the QR code and read the Battery box user manual carefully before installation.



A Module introduction

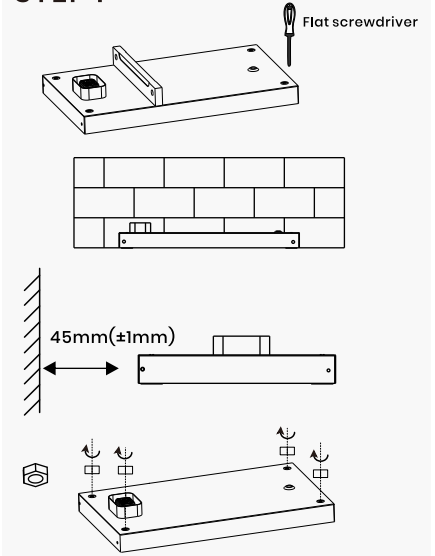


B Installation Space Requirements

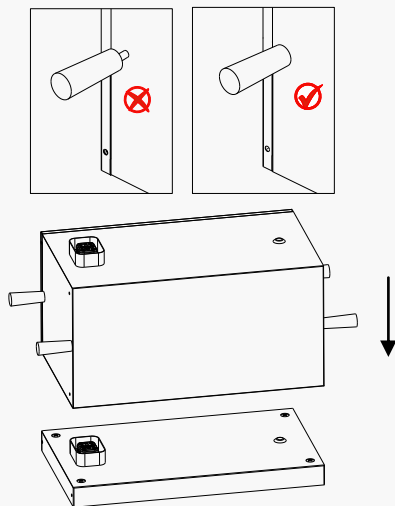


*The clearance is a recommendation. If there is a local standard for the installation of energy storage system, please define the clearance refer to the standard.

STEP 1

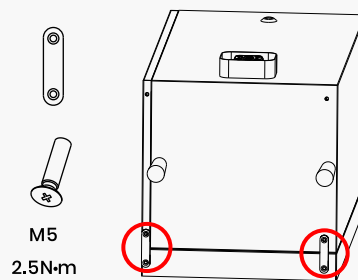


STEP 2

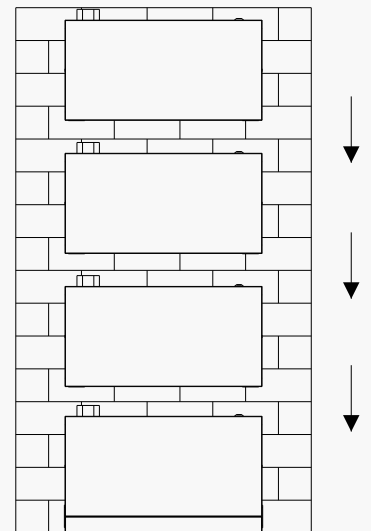


*Ensure the handle is tightened in place before handling.

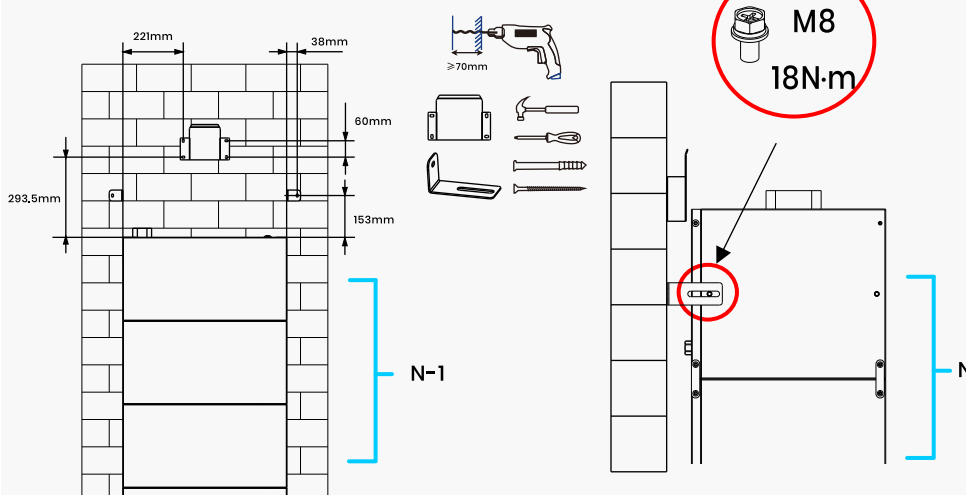
STEP 3



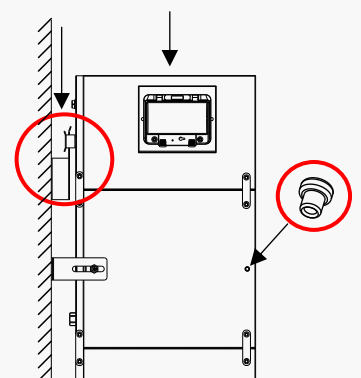
*Please secure the connecting plates at each battery box before stacking them and use lifting equipment when installing the sixth battery box.



STEP 4



STEP 5



*Please ensure that the high voltage box is reliably connected.

*After the installation is complete, remove the handle and install the rubber stopper.

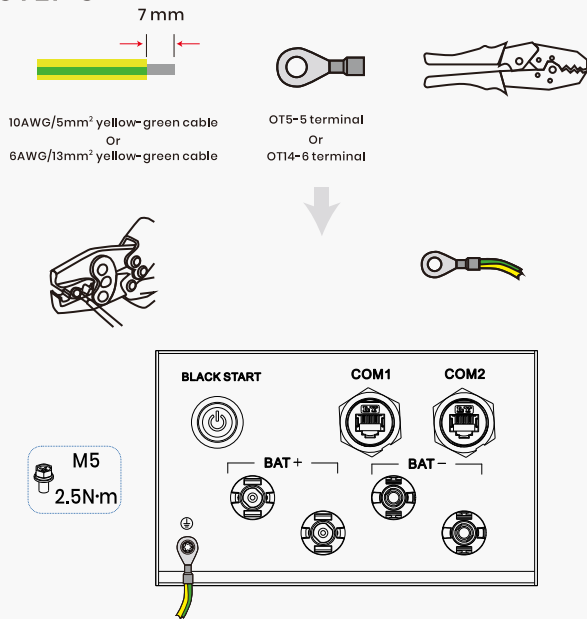
UHS

Quick Installation Guide

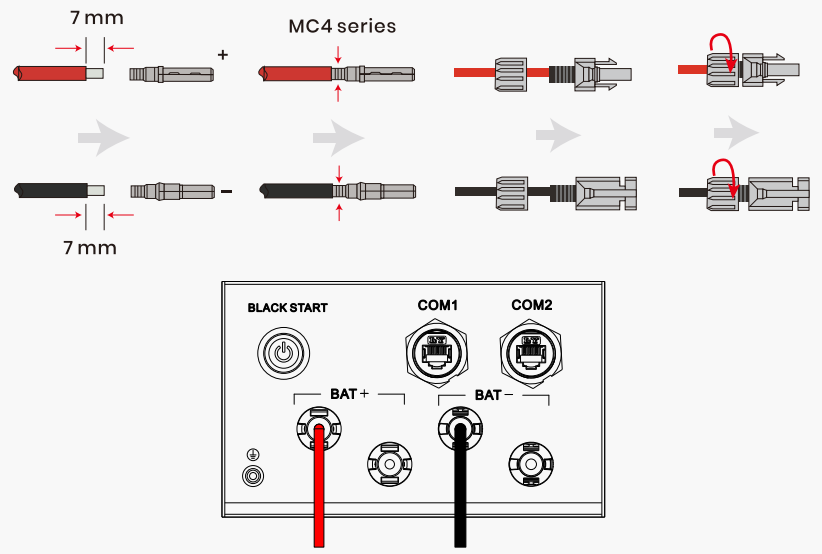


Note: Please scan the QR code and read the Battery box user manual carefully before installation.

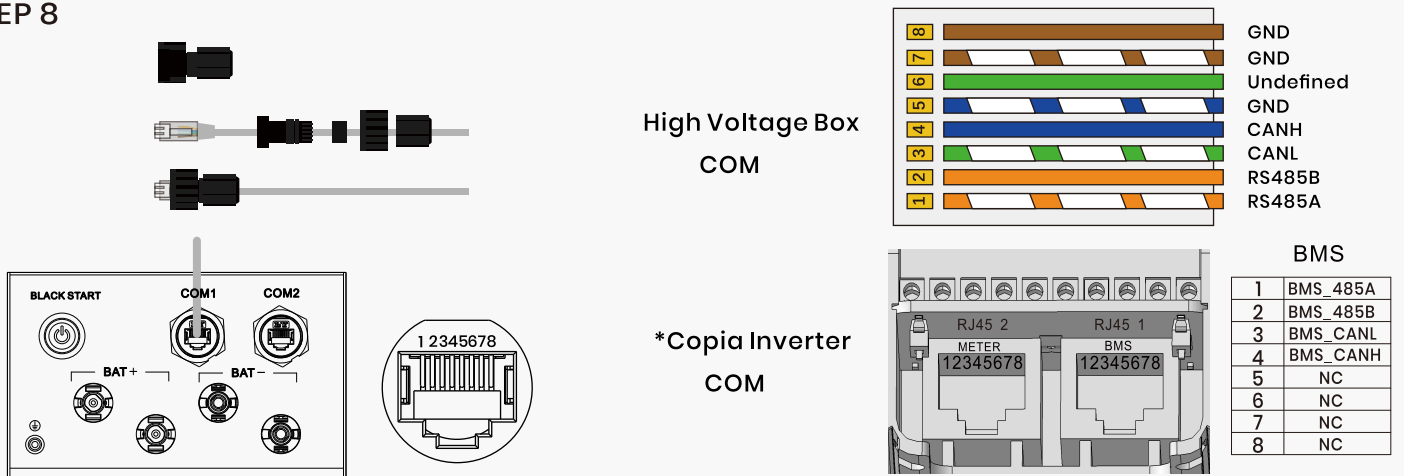
STEP 6



STEP 7



STEP 8



*For third-party inverters, please refer to the COM port definition in the user manual for wiring.

STEP 9

